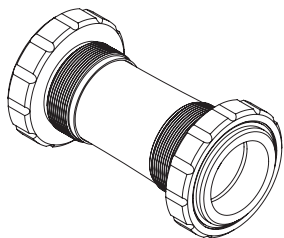




## BSA Road TO DUB THREADED BB System

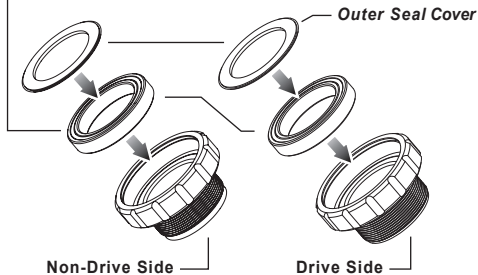
TRiPEAK Product NO.  
EMA-IB29R-BSA★TF12



## Bearing Options

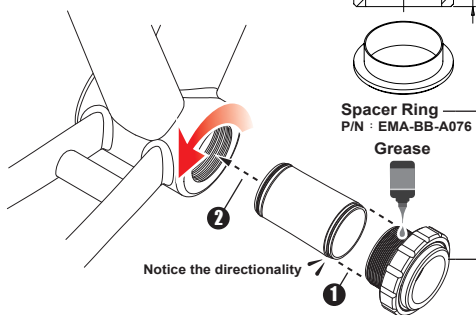
- ★ SB (Steel Bearing) / ★ CB (Ceramic Bearing)
- Bearing Size : 30 X 42 X 7mm (6806-2RS)

Replacement Bearing set  
TRiPEAK item NO. SB : EMA-HP6806-2RS / CB : EMA-JC6806-2RS



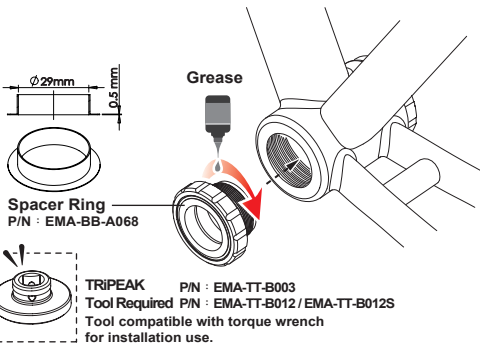
## Step 1 THREADED (TWIST-LOCK)

**DRIVE SIDE** Cup set lock to 30Nm



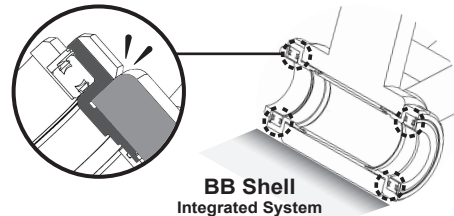
## Step 2 THREADED (TWIST-LOCK)

**Non-DRIVE SIDE** Cup set lock to 30Nm



## ⚠ NOTICE

- To install TRIPEAK Bottom Bracket, we strongly recommend that you have a trained bicycle mechanic at your local bike shop.
- Do not alter this product in any way as it can cause unseen damage. Any modifications to this product will void the warranty.
- Make sure with the crankset are firmly attached to the bottom bracket. Improperly attached cranks can become detached from the BB set.
- When cleaning the bottom bracket set, only use mild soap and water. Never spray with high-pressure water. It will cause BB cup internal water ingress and influencing the bearing rolling lifetime.
- If you have any questions or concerns about this product Please feel free to contact us. E-mail: info@tripeakbearing.com



## Installed-Width

